



On Dennetts: Consciousness Explained

Paul TE Cusack*

DULE, 23 Park Ave, Saint John, Canada

*Corresponding author: Paul T E Cusack, BScE, DULE, 23 Park Ave, Saint John, NB E2J 1R2, Canada

Received: 📅 August 17, 2020

Published: 📅 September 11, 2020

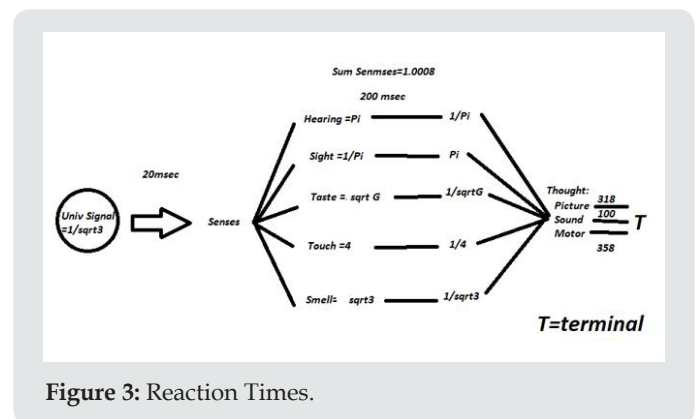
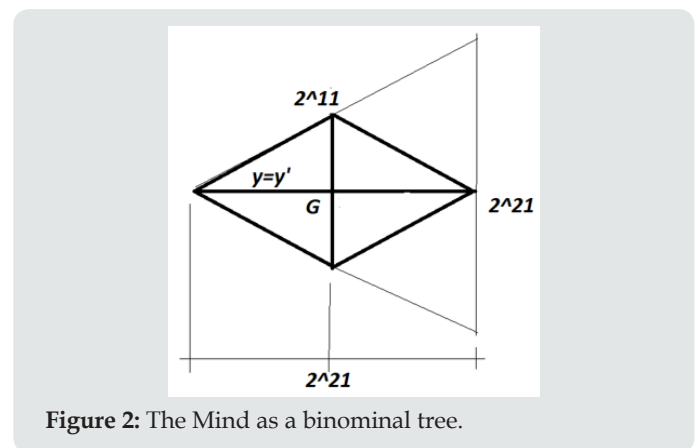
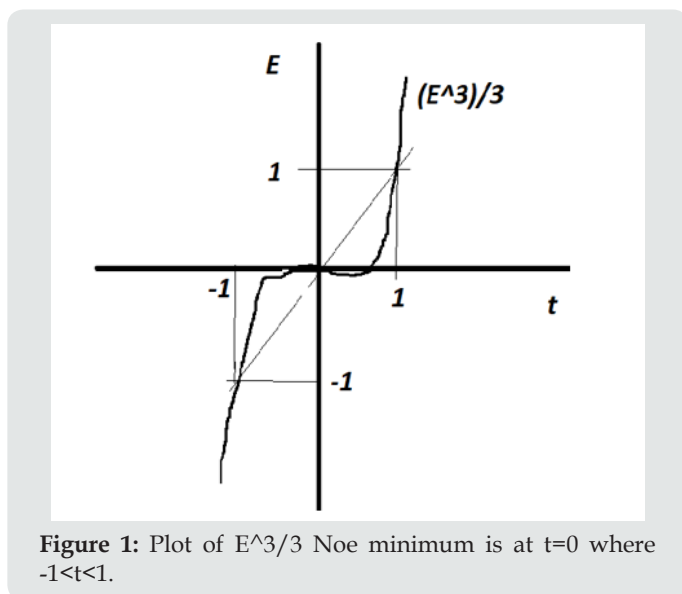
Abstract

In this paper, we apply mathematics to some of the ideas presented in DC Dennett's book: "On Consciousness. We see that such an approach can explain how the human mind and consciousness evolved. We use electrical engineer to devise a circuit of the mind.

Keywords: Consciousness; astrothoology math; evolution; mind

Introduction

DC Dennett has written a book wherein he describes the functioning of the human mind. His description is in words. In this paper, I put numbers and functions and math to how I think the mind works. We will see how the sense evolved to meet the universal signal (Figures 1-3). A knowledge of AT Math is helpful from my previous papers on Astrothoology. We are being with the familiar Clairnaut equation. Clairnaut Differential Equation



$$d^2E / dt^2 - G = 0$$

$$\partial \partial d^2E / dt^2 = \partial \partial G$$

$$E = G^3 / 3$$

$$E = (6.67)^3 / 3 = 0.9891 = \sqrt{\pi} = \text{Power}$$

$$@E = 0 \text{ Minimum}$$

$$\theta = G^3 / 3 = (1 - \ln)^7$$

$$= (-0.1447)^7$$

$$= 0.000001330 \sim 0$$

$$\text{Now, } 2^{21} / 2xG = 0.6994 \sim 7$$

$$1 / 7 = \text{Economic Multiplier}$$

$$1 / 6.997 = 14.29\%$$

$$= 1 / 7$$

$$e^{1429} = 1.1536 = 1 / 0.866 = 1 / \sin 60^\circ$$

$$\text{Univ. Signal} = 1 / \sqrt{3}$$

$$1 / \pi = \text{freq of the human mind}$$

$$s = 4 / 3 = |E| |t| \sin \theta$$

$$4 / 3 = E(\pi) \sin \theta$$

$$4 / 3(1 / \pi) = \sin \theta$$

$$0.4244 = \sin \theta$$

$$\theta = 25.1 = \text{Period T}$$

$$= 0.4383 \text{ rads}$$

Continuing:

$$1 / \pi = s \cdot t$$

$$1 / \pi = Et^2 \sin \theta$$

$$Et^2 \sin \theta - 1 / t = 1 / \sqrt{3}$$

$$Et^2 \sin \theta - 1 / t - 1 / \sqrt{3} = 0$$

$$(1)(\pi)^2 \sin \theta - 1 - 1 / \sqrt{3} = 0$$

$$\pi^2 \sin \theta = 15773$$

$$\sin \theta = 1593$$

$$\theta = 9.17^\circ = 0.16 \text{ rads}$$

$$90^\circ - 9.17 = 0.80829 = 1 / (0.1234567)$$

$$v = d / t$$

$$3 = (221) / t$$

$$t = 6.990 \sim 7$$

$$1 / t = E = 1 / 7 = 0.1430$$

$$(0.1430)^7 = 1.226$$

$$1 / 1.266 = 2.04 \sim 2 = L = \text{Reaction Time}$$

$$t^2 - t - 1 = 1$$

$$t^2 - t - 2 = 0$$

$$t = 2; -1$$

Prime Numbers by Gauss

$$\text{Lim } x \rightarrow \infty \pi(x) / [x / \ln x] = 1$$

$$12 / [31 / 31]$$

$$= 3.49 \sim 3.5$$

$$SE = SE'$$

$$t^2 - t - 1 = 2t - 1$$

$$5 = 5$$

$$t = 0; 3$$

From reaction time $t=0.200$ sec

$$E = 1 / t = 1 / 0.2 = 5$$

$$t^2 - t - 1 = E = 12 / t = 1 / 0.2 = 5$$

$$t^2 - t - 6$$

$$t = 3; -2$$

$$\ddot{A}E = 1 / \ddot{A}t$$

$$\ddot{A}E \cdot \ddot{A}t = 1$$

$$\ddot{A}t = 1$$

$$5(0.2) = 1$$

True! Moment of Creation Mom. = $F \times d$

$$t = f \times d$$

$$1 = Fd(1 / t)$$

$$1 = (2.666)d(5)$$

$$d = 0.75 = 3 / 4 = 1 / s$$

$$st = 1$$

$$s = 1 / t = E$$

$$\ddot{E} = s = E \sin$$

$$\ddot{e} = 1 \sin$$

$$\ddot{e} = \ddot{\theta} / 2$$

$$s = E \sin \theta$$

$$4/3(1/5) = t \sin \theta$$

$$0.2666 / 2.666 = 1 / 10$$

$$F = (1) \sin \theta$$

$$F = \sin \theta$$

$$\sin^2 \theta + \cos^2 \theta = 1$$

$$\text{Let } \sin \theta = \cos \theta$$

$$2 \sin^2 \theta = 1$$

$$\sin = 1 / \sqrt{2}$$

$$(\sin \theta)' = \cos \theta$$

$$(\sin \pi) = 0 = \cos \theta$$

$$\theta = \pi / 2$$

$$\text{Consciousness} = \delta t^2 - t - 1 = E$$

$$2t^3 / 3 - t^2 / 2 - t = E$$

$$t^2 - 3 / 4t - 1 = 1 / \sqrt{3}$$

$$t^2 - 0.75t - 1.577 = 0$$

$$t = 0.852; 1.852$$

$$E = 1 / t = 54; 1.174$$

$$PE = Mc^2$$

$$54 = M(8.9) = 6.00$$

$$PE = Mc^2$$

$$1.174 = M(8.9)$$

$$M = 0.1307$$

$$A = 1 / 2bh$$

$$211 \times 221 / 2$$

$$= 2.14175$$

$$2.14175 / 3 = 23.830$$

$$\ln 23.03 = 3.136 \sim$$

$$y = y'$$

$$\ln t = 1 / t$$

$$\ln t \neq t \ln t / 3.136 \sim 1 /$$

For the four triangles:

$$\ln 12 / \delta = 0.6366 = t_0 \text{ Moment of Creation}$$

$$t^2 - t - 1 = 0$$

$$|D| = 4 \quad E = 11 \text{ } \delta \text{ } 11 \text{ dimensions Eigenvalue} = 3 \quad E = 5 \text{ } \delta \text{ } SE = SE' \text{ Eigen Vector} = \sqrt{3} \quad E = 2.67 \text{ } \delta \text{ } S.F.$$

$$P = i^2 R^2$$

$$= (4/3)^2 (2.67)$$

$$= 4.78$$

$$= 1 / 231$$

$$= Fdt$$

$$1 / 21 = 2.67(221)(t)$$

$$t = 85$$

$$E = 1 / t = 1 / 0.85$$

$$= 117.6$$

$$\text{D Senses}$$

$$F = Ma$$

$$2.67 = M(1 / \sqrt{2}) = 3.776 = 1 / 265$$

$$F = Ma$$

$$2.67 = 117.6a$$

$$a = 1 / 44 = 2.27$$

$$265 / 227 = 116.6 = \text{Mass of the periodic table}$$

$$V = iR$$

$$= (4/3)(-2) = -8/3$$

$$F = -ks$$

$$= - / 83 = -0.4233s$$

$$s = 6.3 = 1 / 0.1587$$

$$= 1 / [1 - \sin 1]$$

$$= 1 - \csc 60^\circ$$

$$= 1 / \text{Moment}$$

$$= 1 / t = E$$

$$\text{D senses} = 2.67 = SF$$

The Concept of Multiple Drafts of Consciousness

$$\text{Consciousness} = \sin^2 \theta + \cos^2 \theta = 1 = t = [1 / (1 - \ln t)]$$

$$t = 1 = (1 - \ln t)^{-7}$$

$$t = 1 / (1 - \ln t)^7$$

$$(1 - \ln t)^{7/7} = 1^{1/7}$$

$$1 - \ln t = 1$$

$$\ln t = 0$$

$$t = 1$$

$$\epsilon Senses = 1 / \delta + \delta + \sqrt{666} + 4 + \sqrt{3} = 1.0008$$

$$E = t^2 - t - 1 = (1^2) - 1 - 1 = -1$$

$$E = (1 - \ln t)^7 = -1 @ t = 1$$

$$Freq = 1 / T = 1 / (1 / t) = t = 1$$

$$E = (1 - \ln t)$$

Temporal Window

$$\delta \leq t \leq$$

$$E = (1 - \ln t) \\ = (1 - \ln 1) = 1$$

$$E = (1 - \ln t)$$

$$\delta (1 - \ln) \\ = -0.1447$$

$$t = 1 / E = -6.909$$

$$Period T = 251.6 \text{ } 1 / T = 397$$

$$\Delta t = 691 - 397 \text{ msec} \\ = 294 \sim 300 \text{ Speech Act.}$$

$$E = (1 - \ln t)^7 \\ = (1 - \ln(294))^7$$

= 502.6 ~ 500 msec which is equal to the reaction time for a touch.

The Mind is a magnetic field with L=2 Henries

$$\ln 2 = 0.693 \sim 7$$

$$(1 - \ln(294))0.693 \\ = \sqrt{3}$$

Universal Signal is the inverse = $1/\sqrt{3}$ The Mind is tuned to the universal signal.

$$358 \text{ msec} - 200 \text{ msec} = 1580 \text{ msec} = 1 - \sin 1$$

$$(1 - \sin 1)^7 = (1 - \ln t)^7$$

$$(1 - 0.8414)^7 = 279 = 1 / 358 = 1 / t = E$$

$$\sin 1 = \ln t$$

$$t = 232 \text{ } E = 431$$

$$358 \text{ msec} - 200 \text{ msec} = 1580 \text{ msec} = 1 - \sin 1$$

$$(1 - \sin 1)^7 = (1 - \ln t)^7$$

$$(1 - 0.8414)^7 = 279 = 1 / 358 = 1 / t = E$$

$$\Delta E = 232 - (1 / 358) \\ = 0.232 - 2.7932 \\ = 256.1$$

$$E = (1 - \ln t)^7 \\ = (1 - \ln 256.1) \\ = 595 \sim 6$$

$$t = 1.681$$

$$1.681^2 - 1.681 - 1 = 0.1447 = E \sim 1 / 7$$

$$20 + 200 + 318 = 538 \text{ Pictures}$$

$$1 - 0.380 = -0.62 = \ln 0.538$$

$$380 \text{ Hz} = \text{Light}$$

$$20 + 200 + 100 = 320 \sim 318 = 1 / \pi \text{ Speech}$$

$$20 + 200 + 358 = 570 = 1 / \sqrt{3} \text{ Smell / Memory / Motor}$$

$$E = 1 - \ln(0.538) = 1.619 \sim 1.6183 \text{ Golden Mean}$$

$$t = 1 / E = 0.617 \sim 0.618 = (-1) = i = j$$

$$0.020 + 1 + 0.200 + 0.358 = 157.8 = \pi / 2 = 90^\circ \text{ Real - Imaginary}$$

$$V = \sin 60 + j(\pi / 2)$$

$$= 0.866 + 970$$

$$= 183 / 6$$

$$1 / V = 1 / 183.6 = 0.5444$$

$$0.5444 / \sqrt{3} = 0.31446 \sim \pi = 1 / E = t$$

Note :

$$\text{Amps across inductor} = 1117 = 1 / c^2$$

$$P = i^2 R$$

$$1.776 = (4 / 3)^2 \times R$$

$$R = 1$$

$$= \Sigma \text{ Senses}$$

$$\text{Reaction Times: } 1 \text{ Amp} = 1 \text{ Coulomb/sec } t = 1.602 / A$$

$$\text{Hearing } 1.602 / 171 = 93.7 + 220 = 314 =$$

$$\text{Touch } 1.602 / 218 = 734 + 220 = 954$$

$$\text{Taste } 1.602 / 666 = 240 + 220 = 460$$

$$\text{Smell } 1.602 / 943 = 170 + 220 = 390$$

$$\text{Sight } 1.602 / 1115 = 144 + 220 = 364$$

Range of reaction times:

$$314 \leq t \leq 954$$

$$\ddot{A}t = (1 - \text{Ln } t) - 7$$

$$t_{\min} = (1 - \text{Ln } .314) - 7$$

$$= 8857$$

$$1 / t = E = 112.8$$

$$t_{\max} = (1 - \text{Ln } .954) = 471$$

$$1 / t = E = 21.23$$

$$\ddot{A}E = 112.8 - 21.23 = 1350 = 1 / 74$$

$$\text{Motor : } 220 + 358 = 578 \text{ msec} = 1 / \sqrt{3} = \text{Univ.Signal}$$

$$E = (1 - \text{Ln } t)7$$

$$t = (1 - \text{Ln } 578)1 / 7$$

$$= 1353 \text{ Cf } 1350$$

$$E = 1 / t = 1 / 1350 = 0.738 \sim 74$$

$$E = 73.8 = (1 - \text{Ln } t)7$$

$$73.81 / 7 = (1 - \text{Ln } t)$$

$$0.8486 = \text{Ln } t$$

$$t = 23.365$$

$$\ddot{\theta} = \text{Mass}$$

Now for the evolution of human consciousness: Human Functions=5 Senses R=1

$$P = i^2R$$

$$177 = (4 / 3)^2(1)$$

$$P = VA$$

$$1777 = VA$$

$$177 = V(\$ / 3)$$

$$V = 4 / 3$$

$$V = ir$$

$$4 / 3 = (4 / 3)(1)$$

Universal Circuit:

$$V = ir$$

$$(4 / 3)(0.4233) = 3.14$$

$$V = iR$$

$$= (4 / 3)(1 / \pi) = 0.4233$$

$$V = iR$$

$$= (4 / 3)(2) = 8 / 3$$

$$VT = 3.14 + 0.4244 - 8 / 3 = 89.84 = 2.997^2 = c^2$$

Now:

$$RT = \pi = 1 / \pi + 4 + \sqrt{(0.666)} + \sqrt{3} = 1.0008 \sim 1$$

Multiple Drafts of Consciousness= Senses= Consciousness

$$E = (1 - \text{Ln } t)7 = 1 = \sin^2 \theta + \cos^2 \theta$$

$$t = 1$$

$$\text{Let } \sin \theta = \cos \theta$$

$$\theta = 45^\circ$$

$$E = (1 - \text{Ln } 1)7 = 1$$

$$= \sin^2 \theta + \cos^2 \theta = 1$$

$$2\sin^2 \theta = 1$$

$$\sin \theta = 1 / \sqrt{2}$$

$$\theta = 45^\circ$$

$$\text{Mind} = (1 - \text{Ln } t)7$$

$$\text{Let } t = \pi$$

$$\text{Mind} = (1 - \text{Ln } \pi)7 = 0.000001330$$

1330 = Internal Clock. Now from the Circuit of the senses:

$$5644 - 5444 = 0200 \text{ msec} = 0.2$$

$$1 / 0.2 = 5 = E$$

$$SE = SE'$$

$$t^2 - t - 1 = 2t - 1$$

$$\text{Let } t = 3$$

$$5 = 5 = E$$

Consider the input to the Mind as $1 / c^2$

$$E = Mc^2$$

$$1 = Mc^2$$

$$M = 1 / c^2$$

$$1 / c^2 = \text{Mass} = 1 / 0.8982 = 0.1113$$

$$E = 1057 = (-70\text{mV}) + (35\text{mV}) = \text{PE of a nerve cell.}$$

$$1 / V = M$$

$$1 / E = \text{Ln } t$$

$$M = 1 / c^2 = \text{Ln } t$$

$$0 = \text{Ln } t$$

$$t = 1$$

Now for the reaction time of the senses:

Motor 338msec

Sight 318

Hearing 100

Taste = 460

Touch 954

$$2190 / 5 = 438 = \text{Average.}$$

$$20 + 200 + 438 = 658$$

Range

$$t_{\text{min}} = (1 - \text{Ln } 0.318)7 = 589$$

$$t_{\text{max}} = (1 - \text{Ln } 0.954)7 = 936$$

$$\Delta t = 588$$

$$E_{\text{min}} = 1 / 589 = 16977$$

$$E_{\text{max}} = 1 / 936 = 1.0683$$

$$\Delta E = 17 / 2 = 0.8493$$

$$PE = Mc^2$$

$$17 / 2 = Mc^2$$

$$M = 946$$

$$M = \text{Ln } t$$

$$t = 257.6$$

Equations of consciousness:

$$\sin^2 \theta = 1 = t = 1 - \text{Ln } t^7$$

$$t = 1 - (1 - \text{Ln } t) - 7$$

$$1 - 17 = 0 = (-\text{Ln } t) - 7$$

$$0.8571 / 7 = (-\text{Ln } t) - 1 / 7$$

$$33.99 = (-\text{Ln } t) - 1$$

$$\text{Ln } t = -1 / 33.99 = 294.2$$

$$E = (1 - \text{Ln } t)7$$

$$E = 251.6 = \text{Period } T$$

$$= 1 / \text{freq}$$

$$\text{freq} = 1 / 397 = 1 / 4 = \text{Touch } \& \text{ Pleasure and Pain}$$

$$E = (1 - \text{Ln } t)$$

$$\Delta \leq t \leq$$

$$E = (1 - \text{Ln } 1) = 251.6$$

$$t = 397$$

$$E = (1 - \text{Ln } t)$$

$$= -0.1447$$

$t = 6.31$

$\Delta t = 691 - 397 = 294 = \text{Speech Act } 100 + 200 = 300 \text{ msec}$

The Mind as a magnetic field:

- L = 2
- Ln 2 = 0.693 ~ 7
- (1 - Ln 0.294)0.693
- = $\sqrt{3}$
- = Smell

So, we have evolution working on the four F's (Flight Feed, Fight; ; Mate)

- Sight = 65%
- Taste = 17%
- Smell = 12%
- Hearing (Language) = 6.5%
- Touch = 5%
- 65% + 17% + 12% + 6.5% + 5% = 105 = (-70 + 35) mV

Touch = $e^{105} = 4 = |D|$

Smell = $\sqrt{3} = \text{Eigen vector}$

$\hat{O}\text{Senses} = 1 = \text{Consciousness}$

$\Delta V = -70 + 35 = 105 \text{ mV}$

$V = iR$

$105.0 = (4/3)(R)$

$R = 2625 = 1/380 \text{ Hz Light} = 1/\text{Sight} = 1/t$

$\delta \text{Hearingfreq} = 1/\delta$

Taste = $\sqrt{0.666} = \sqrt{G}$

$G = 1/150 = \text{Language group.}$

$\epsilon = 60^\circ = \delta/3$

$1/c = 3 = 1/\text{Eigen value}$

$t^2 - t - 1$

$= 3^2 - 3 - 1 = 5 \text{ } \Delta \text{SE} = \text{SE}'$

- a. Sight=64% Mate (Sex) (5.1%) ; Feed (16.7%); Flight or Flee (friend or foe)(42.2%)
- b. Hearing (Language) =65% Feed (16.7%); Mate (5.1%); Fight; Flee (42.2%)
- c. Taste= 16.7% Feed [1].
- d. Smell =12% Taste (Feed)
- e. Touch =5.1% Mate (Pleasure or pain) (Figures 4-6).

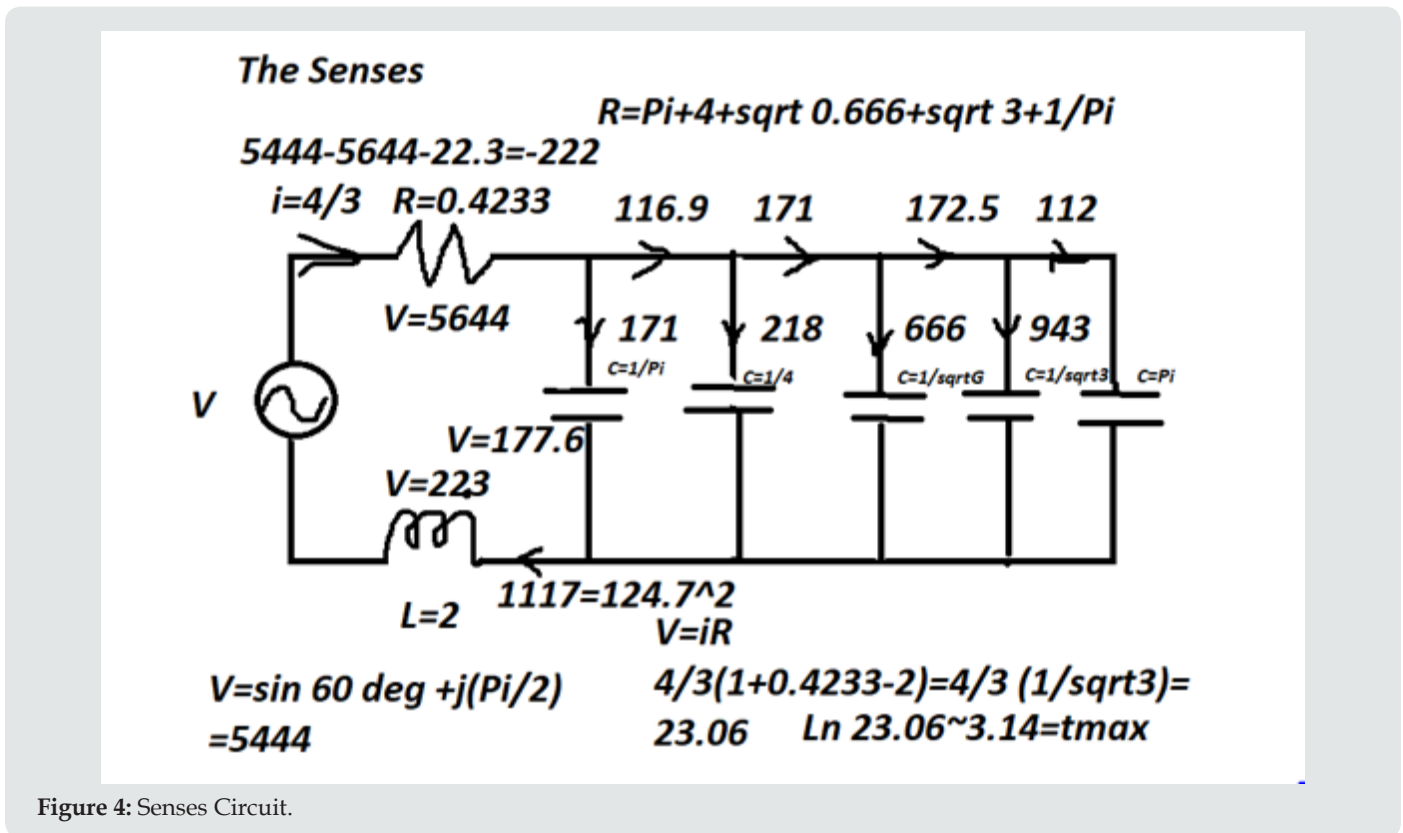


Figure 4: Senses Circuit.

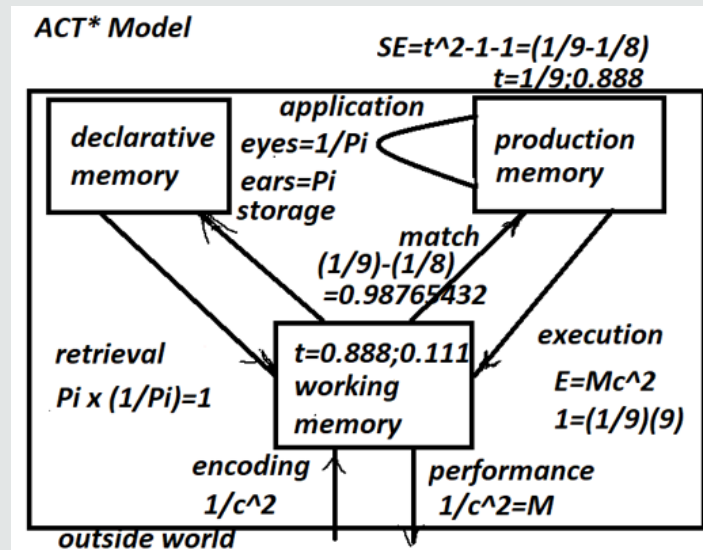


Figure 5: Note: Input and output from the brain is $1/c^2 = \text{Mass}$.

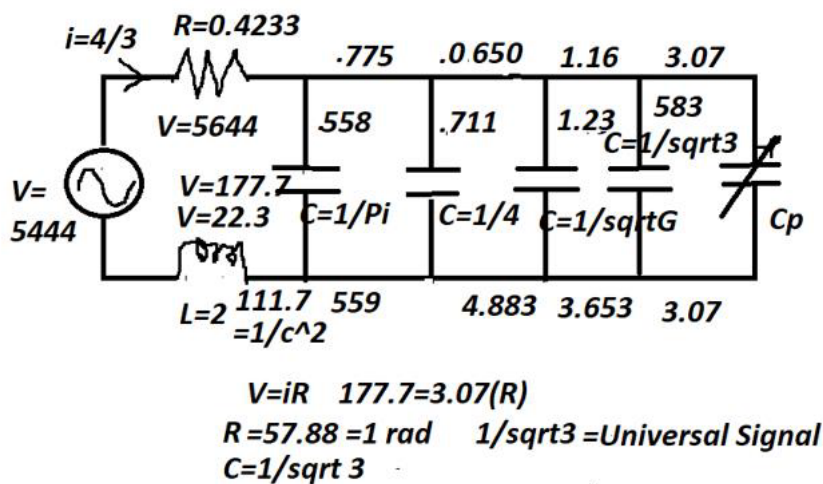


Figure 6: Circuit showing plasticity of the brain with the rightmost capacitor.

So, we have sight, hearing, touch, smell, and taste- evolved.
 Humans had ape sized brains for 3.5 me

$$1/t = E = 286$$

$$E = (1 - \ln t)7$$

$$286 = (1 - \ln t)7$$

$$2861/7 = 1 - \ln t$$

$$0.1443 = 1 - \ln t$$

$$t = 2.3065$$

$$2.3065 = 3.138 \sim$$

The Human brain increased in size by 4 x's at 2.5 mya $M=4$

$$K.E. = 1/2 Mv^2$$

$$= 1/2 (4) (1/\sqrt{2})^2$$

$$= 1 = t = E$$

$$\sin^2 = 1 \text{ Consciousness}$$

$$t/M = 1/4 = 2.5 \text{ mya}$$

$$KE/M = 1/4 \text{ Touch \& Pleasure vs pain.}$$

$t = 6 \text{ mya}$

$E = 1 / 6 = 1.67 \text{ P Taste PFeed.}$

Language (Hearing) 150,000 ya

$\sqrt{1} / G$

$= 1 / 150,000 = 1 / t = E$

$E = 6.66 = G$

$t = 10,000 \text{ ya P Cooking}$

$E = 1 / 10,000 = 0.0001$

$12\% \Rightarrow \text{smell} \Rightarrow \sqrt{3}$

$E = 1 / \sqrt{3} \times 1 / 12\% = 20.78$

$E = 1 / t = 1 / 481$

$E = (1 - \text{Ln } 0.481)^7$

$= 146 \sim 150 = 1 / G$

Cooking 150,000 ya

So, the equations for Consciousness are Cusack's Consciousness

Equations:

- | | | |
|----|--|-----------------|
| 1. | $E = 1 / t = 1 \text{ freq} = 1 / \pi$ | Sight |
| 2. | $\sin^2\theta + \cos^2\theta = 1$ | |
| 3. | $\theta = \pi / 4$ | Hearing / Touch |
| 4. | $t = KE = 1 / 2Mv^2 = 1$ | |
| 5. | $t = E = (1 / t \cdot 1 / x) = (1 + \text{Ln } t)^7 = 1 / G$ | Taste |
| 6. | $\Sigma \text{Senses} = 1 = 0.8275 + 0.1t$ | Smell |
| 7. | $\text{Lim } x \rightarrow \infty \pi(x) / [x / \text{Ln } x] = 1$ | |
| 8. | $\Pi \text{Senses} = 1 = (1 - \text{Ln } t)^7 / (1 - \pi(x) \text{Ln } t)$ | |
| 9. | $\Pi \text{Senses} / \Sigma \text{Senses} = \text{MG}$ | |

There are 9 simultaneous equations and 9 unknowns.

Dennett writes on evolution. He cites the third principle of evolution:

Differential fitness": the number of copies of an element [HUMANS] that are created In a given time varies [T=0.418] , depending on interactions between the features of that element [CONSCIOUSNESS] (whatever it is that makes it different from other elements) and features of the environment [THE UNIVERSE] in which it persist. [MY ADDITIONS]

The equation of consciousness in part is:

$E = (1 - \text{Ln } t)$

$1 / t = (1 - \text{Ln } t)$

$t - 1 = (1 - \text{Ln } t)$

Derivative

$-t - 2 / -2 = 0 - (1 / t)$

$1 / 2t^2 = 1 / t$

$1 / 2t = 1$

$2t = 1$

$2t - 1 = 0$

Derivative of the golden mean parabola at the minimum. Everything beautiful is the product of the Golden Mean Parabola, from architecture to cooking aroma.

$\text{So, } t^2 - t - 1 = 0$

$(\sqrt{3})^2 - 0.3 - 1 = 2.67 = \text{SF.} = \Pi \text{Senses.}$

Now, for the multiple drafts concept of Dennett:

$E^7 = (1 - \text{Ln } t)^7$

$(1 / t)^7 = (1 - \text{Ln } t)^7$

$(t - 1)^7 = (1 - \text{Ln } t)^7$

$7 / 6(-t - 2 / 2)^6 = (0 - 7 / t)^6$

$7 / 6(1 / 2t)^6 = 16$

$M(2t)^6 = 16$

$2Mt - 1 = 0$

$2(7 / 6) - 1 = 0$

$2.333t - 1 = 0$

$t = 0.418$

$E = (1 - \text{Ln } 0.418)^7$

$= 1.7298$

$\sim \sqrt{3}$

This is the inverse of the Universal Signal $= 1/\sqrt{3}$. Human consciousness evolved to meet its environment.

Consciousness

$t = 1.618$; $-0.618 t$ cannot be negative. So, $t = 1.618$

$E7 = |(1 - \ln 1.618)^7$

$E7 = 5187 = 1.0007 \sim 1$

Note: The current $1/c^2$ is the signal going into the ACT* Model above crossing the Inductor (Mind $L=2$)

$y = y' = 2$

$\acute{O}Plasticity + \acute{O}Senses = 1 + 1 = 2 = L = \text{Mind} = y \text{ by } y'$

$1/c^2 = E/c^2 = M E = M c^2$

$1/c^2 = 1/9 = 0.111111111$. These are the nine equations with nine unknowns all equal to one.

Conclusion

We have seen that mathematics applied to Dennett's theory is helpful. The numbers all work to end in the evolution of the sense and consciousness.

References

1. Dennett DC (1991) Consciousness Explained. Back Bay Books NY, USA.



This work is licensed under Creative Commons Attribution 4.0 License

To Submit Your Article Click Here: [Submit Article](#)

DOI: [10.32474/CTBB.2020.03.000159](https://doi.org/10.32474/CTBB.2020.03.000159)



Current Trends on Biostatistics & Biometrics

Assets of Publishing with us

- Global archiving of articles
- Immediate, unrestricted online access
- Rigorous Peer Review Process
- Authors Retain Copyrights
- Unique DOI for all articles